

Product information presented here reflects conditions at time of publication. Consult factory regarding discrepancies or inconsistencies.

MAIL TO: P.O. BOX 16347 • Louisville, KY 40256-0347  
SHIPTO: 3649 Cane Run Road • Louisville, KY 40211-1961  
TEL: (502) 778-2731 • 1 (800) 928-PUMP • FAX: (502) 774-3624

Visit our web site:  
[zoellerpumps.com](http://zoellerpumps.com)

## REPLACEMENT PARTS LIST FOR MODELS:

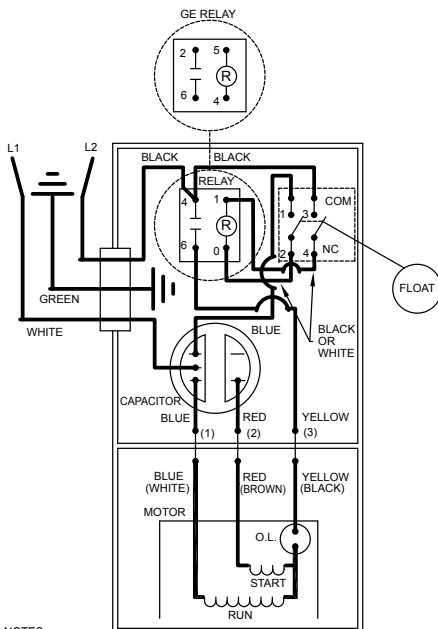
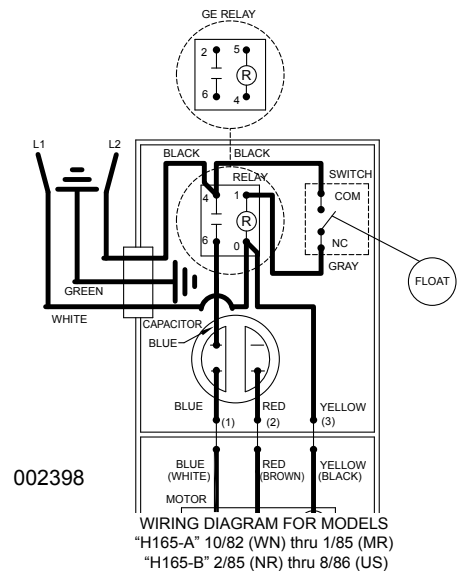
**H165 AUTOMATIC 200V/1PH**  
**I165 NONAUTOMATIC 200V/1PH**  
**J165 NONAUTOMATIC 200V/3PH**  
**F165 NONAUTOMATIC 230V/3PH**  
**G165 NONAUTOMATIC 460V/3PH**  
**BA165 NONAUTOMATIC 575V/3PH**

Consult factory for all other Models

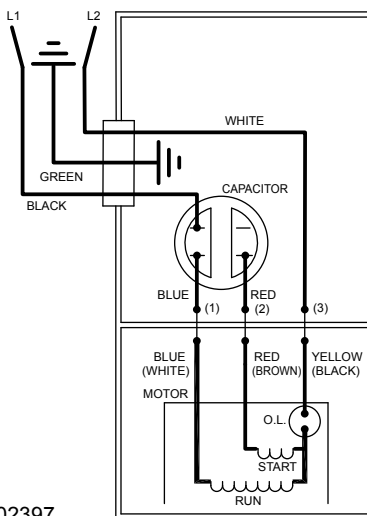
**TO ORDER REPLACEMENT PARTS:**

**PLEASE FURNISH THE FOLLOWING INFORMATION:**

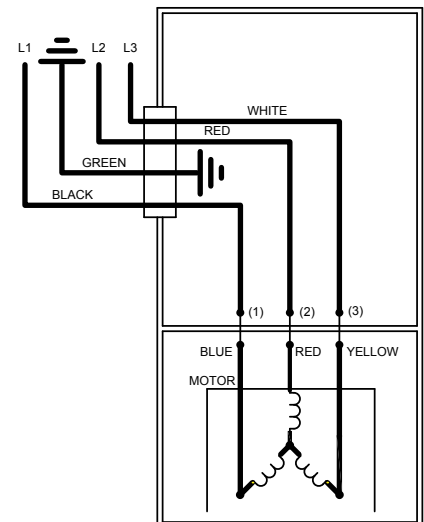
- Model Number.
- Part Number of Pump.  
(If manufactured prior to June 1988, give 2 letter date code following Model No.)
- Part Number and Description of part.



WIRING DIAGRAM FOR MODELS  
"H165-C"  
9/86 (VS) thru Current



WIRING DIAGRAM FOR MODELS  
"I165" All Revisions



WIRING DIAGRAM FOR MODELS  
"J165" All Revisions  
"F165" All Revisions  
"G165" All Revisions  
"BA165" All Revisions

# REPLACEMENT PARTS LIST FOR MODELS "H165"

See page 7 for "H165" illustration.

REF. NO.	DESCRIPTION	QTY	NOTES	MODELS: H165-A		
				10/82 WN thru 1/85 MR	H165-B	H165-C
1	Case, Sw.& Cord	1	2,3	005383	005383	005383
2	• Handle	1		217069	217069	217069
3	Cord, Term & Seal	1	2,3	005384	005384	005384
4	Clamp, Strain Relief	1	3	001770	001770	001770
5	• Seal, Cord-Asm & Str Rlf	1	3	094032	094032	094032
6	Case-Mach	1	2,3	004614	004614	004614
7	• Guard	1		001023	001023	001023
8	• Arm & Seal Asm	1		002379	002379	004745
9	• Gasket, Case/Cover	1		001011	001011	001011
10	Switch Asm	1		002380	002380	004744
11	• Wire Pkg	1		001070	001070	004749
12	Capacitor & Clamp Asm	1		002381	002381	002381
13	Relay	1		217093	217093	217093
14	Float, Plastic	1		094039	094039	094039
15	Guide Asm, Flt Rod	1		001072	001072	001072
16	Rod Asm, Flt	1		003083	003083	003083
17	Housing, Mtr-& Str	1	1,6	005529	005529	005529
18	Bearing, Sleeve	1		001012	001012	001012
19	• Plug, Test-White	2		034090	034090	034090
20	• Seal, Thru Wall Term	3		003402	003402	003402
21	Rotor & Brg	1		001074	001074	001074
22	Bearing, Radial	1		001013	001013	001013
23	• Seal, Mtr Hsg	1		001014	001014	001014
24	• Oil, Dielectric	1		003168	003168	003168
25	Adapter-Mach	1		001003	001003	001003
26	• Seal, Shaft	1		002430	002430	002430
27	Flange Pkg 2" Npt	1		N/A	10-1305	10-1305
	Flange Pkg 3" Npt	1		N/A	10-1306	10-1306
28	Impeller "165"	1		001046	004203	004203
29	Housing, Pump-Mach	1		001044	004214	004214
30	Strainer Plate	1		137008	137008	137008
31	• Screw, .25-20 X .75 HHm-SS	4		001916	001916	001916
32	• Screw, .313-18 X 1" HH Cap-SS	4		002608	002608	002608
33	• Screw, #10-24 X.375 RHM-SI SS	2		001883	001883	001883
34	• Screw, #6-32x.438 RH/PH Type 23	2		004644	004644	004644
35	• Sem, 10-24x.375HH-SI Tc.688 Wash	2		002000	002000	002000
36	• Washer, SS-1.25"Odx.562"ldx.078	2		N/A	002115	002115
37	• Screw, .5-13 X 2 HH Cap-SS	2		N/A	001909	001909
38	• Screw, #6-32x.25RHM SI Tc Stlgr	2		001877	001877	001877
39	• Screw, .25-20x1" HHm-SS	4		007790	007790	007790
▣	Rebuild Kit	1		016103	016103	016103

• Items included in Rebuild Kit.

▣ Not shown in illustration.

## NOTES:

- 1) Mtr. Hsg., Brg., Stator & Term. (Item 17) is preassembled at the factory and must be replaced as a unit. Stator is permanently attached to the Motor Housing. Plug (Item 19); Seal, Thru Wall Term. (Item 20) and Bearing - Upper (Item 18) are replaceable.
- 2) When ordering these parts, customer must identify if switch is a General Electric switch.
- 3) If an "X" follows Model No., or Date Mfg. on ID tag, consult factory for ordering of this part.
- 4) See FM0160 Parts Price Sheet for listing of parts prices.
- 5) "N/A" indicates, not applicable.
- 6) When ordering specify either GE or Emerson Motor.

## DATE CODE OF MANUFACTURE FROM 12/70 to 12/88

1st LETTER MONTH		2nd LETTER YEAR			
M --- JAN.	T --- JULY	A --- 1971	G --- 1977	O --- 1983	
N --- FEB.	U --- AUG.	B --- 1972	H --- 1978	P --- 1984	
O --- MARCH	V --- SEPT.	C --- 1973	I --- 1979	R --- 1985	
P --- APRIL	W --- OCT.	D --- 1974	J --- 1980	S --- 1986	
R --- MAY	X --- NOV.	E --- 1975	M --- 1981	T --- 1987	
S --- JUNE	Y --- DEC.	F --- 1976	N --- 1982	U --- 1988	

**NOTE:** Four digit (MMYY) date of mfg. used after June, 1988.

IE: MMYY = 0192 = Jan. 1992

# REPLACEMENT PARTS LIST FOR MODELS "1165"

See page 7 for "1165" illustration.

REF. NO.	DESCRIPTION	QTY	NOTES	MODELS: I165-B		I165-C
				9/85 VR thru 8/86 US	9/86 VS thru Current	
1	• Handle	1		217069	217069	
2	Cover & Cord	1	2	013883	013883	
3	Cord, Term, & Seal	1	2	005385	005385	
4	Clamp, Strain Relief	1	2	001770	001770	
5	Seal, Cord-Asm & Str Rlf	1	2	094032	094032	
6	Cover-Mach	1	2,3	001077	001077	
7	• Gasket, Case/Cover	1		001011	001011	
8	• Wire Pkg	1		001070	004756	
9	Capacitor & Clamp Asm	1		002381	002381	
10	Housing, Mtr- & Str	1	1,5	005529	005529	
11	Bearing, Sleeve	1		001012	001012	
12	• Plug, Test-White	2		034090	034090	
13	Seal, Thru Wall Term	3		003402	003402	
14	Rotor & Brg	1	5	001074	001074	
15	Bearing, Radial	1		001013	001013	
16	• Seal, Mtr Hsg	1		001014	001014	
17	• Oil, Dielectric	1		003168	003168	
18	Adapter-Mach	1		001003	001003	
19	• Seal, Shaft	1		002430	002430	
20	Flange Pkg 2" Npt	1		10-1305	10-1305	
	Flange Pkg 3" Npt	1		10-1306	10-1306	
21	Impeller "165"	1		004203	004203	
22	Housing, Pump-Mach	1		004214	004214	
23	Strainer Plate	1		137008	137008	
24	• Screw, .25-20 X .75 HHm-SS	4		001916	001916	
25	• Screw, .313-18 X 1"HH Cap-SS	4		002608	002608	
26	• Screw, #10-24 X.375 RHM-SI SS	1		001883	001883	
27	• Sem,10-24x.375HH-SI Tc.688 Wash	2		002000	002000	
28	• Screw, .5-13 X 2 HH Cap-SS	2		001909	001909	
29	• Washer, SS-1.25"Odx.562"Idx.078	2		002115	002115	
30	• Screw, #6-32x.25RHM SI Tc Stlgr	4		001877	001877	
31	• Screw, .25-20x1" HHm-SS	4		007790	007790	
▣	Rebuild Kit	1		014193	014193	

• Items included in Rebuild Kit.

▣ Not shown in illustration.

## NOTES:

- 1) Mtr. Hsg., Brg., Stator & Term. (Item 10) is preassembled at the factory and must be replaced as a unit. Stator is permanently attached to the Motor Housing. Plug (Item 12); Seal, Thru Wall Term. (Item 13) and Bearing - Upper (Item 15) are replaceable.
- 2) If an "X" follows Model No., or Date Mfg. on ID tag, consult factory for ordering of this part.
- 3) See FM0160 Parts Price Sheet for listing of parts prices.
- 4) "N/A" indicates, not applicable.
- 5) When ordering specify either GE or Emerson Motor.

# REPLACEMENT PARTS LIST FOR MODELS "J165"

See back page for "J165" illustration.

REF. NO.	DESCRIPTION	QTY	NOTES	MODELS: J165-A		
				3/82 ON thru 1/85 MR	J165-B	J165-C
1	• Handle	1		217069	217069	217069
2	Cover & Cord	1	2	002963	002963	002963
3	Cover-Mach	1	2	001077	001077	001077
4	• Gasket, Case/Cover	1		001011	001011	001011
5	Housing, Mtr-& Str	1	1,5	004443	004443	004443
6	Bearing, Sleeve	1		001012	001012	001012
7	Clamp, Strain Relief	1	2	001770	001770	001770
8	Cord, Term & Seal	1	2	005131	005131	005131
9	• Seal, Cord-Asm & Str Rlf	1	2	011656	011656	011656
10	• Plug, Test-White	2		034090	034090	034090
11	• Seal, Thru Wall Term	3		003402	003402	003402
12	Rotor & Brg	1	5	004870	004870	004870
13	• Bearing, Radial	1		001013	001013	001013
14	• Seal, Mtr Hsg	1		001014	001014	001014
15	• Oil, Dielectric	1		003168	003168	003168
16	Adapter-Mach	1		001003	001003	001003
17	• Seal, Shaft	1		002430	002430	002430
18	Impeller Asm "165"	1		Contact Factory	005223	005223
19	Flange Pkg 2" Npt	1		N/A	10-1305	10-1305
	Flange Pkg 3" Npt	1		N/A	10-1306	10-1306
20	Housing, Pump-Mach	1		001044	004214	004214
21	• Screw, #6-32x.25RHM SI Tc Stlgr	1		001877	001877	001877
22	• Screw, .25-20 X .75 HHm-SS	4		001916	001916	001916
23	• Screw, .313-18 X 1"HH Cap-SS	4		002608	002608	002608
24	• Screw, .5-13 X 2 HH Cap-SS	2		N/A	001909	001909
25	• Washer, SS-1.25"Odx.562"ldx.078	2		N/A	002115	002115
26	• Screw, #10-24 X.375 RHM-SI SS	1		001883	001883	001883
27	Strainer Plate	1		137008	137008	137008
28	• Sem,10-24x.375HH-SI Tc.688 Wash	2		002000	002000	002000
29	• Screw, .25-20 X 1 HHm-SS	4		007790	007790	007790
30	• Nut, 7/16-20 Acorn SS	1		004351	004351	004351
□	Rebuild Kit	1		014193	014193	014193

• Items included in Rebuild Kit.

□ Not shown in illustration.

## NOTES:

- 1) Mtr. Hsg., Brg., Stator & Term. (Item 5) is preassembled at the factory and must be replaced as a unit. Stator is permanently attached to the Motor Housing. Plug (Item 10); Seal, Thru Wall Term. (Item 11) and Bearing - Upper (Item 6) are replaceable.
- 2) If an "X" follows Model No., or Date Mfg. on ID tag, consult factory for ordering of this part.
- 3) See FM0160 Parts Price Sheet for listing of parts prices.
- 4) "N/A" indicates, not applicable.
- 5) When ordering specify either GE or Emerson Motor.

# REPLACEMENT PARTS LIST FOR MODELS "F165"

See back page for "F165" illustration.

REF. NO.	DESCRIPTION	QTY	NOTES	MODELS: F165-A			F165-B	F165-C
				3/83 OO thru 1/85 MR	2/85 NR thru 8/86 US	9/86 VS thru Current		
1	• Handle	1		217069	217069	217069		
2	Cover & Cord	1	2	002963	002963	002963		
3	Cover-Mach	1	2	001077	001077	001077		
4	• Gasket, Case/Cover	1		001011	001011	001011		
5	Housing, Mtr-& Str	1	1,5	005472	005472	005472		
6	Bearing, Sleeve	1		001012	001012	001012		
7	Clamp, Strain Relief	1	2	001770	001770	001770		
8	Cord, Term & Seal	1	2	005131	005131	005131		
9	• Seal, Cord-Asm & Str Rlf	1	2	011656	011656	011656		
10	• Plug, Test-White	2		034090	034090	034090		
11	• Seal, Thru Wall Term	3		003402	003402	003402		
12	Rotor & Brg	1	5	004870	004870	004870		
13	• Bearing, Radial	1		001013	001013	001013		
14	• Seal, Mtr Hsg	1		001014	001014	001014		
15	• Oil, Dielectric	1		003168	003168	003168		
16	Adapter-Mach	1		001003	001003	001003		
17	• Seal, Shaft	1		002430	002430	002430		
18	Impeller Asm "165"	1		Contact Factory	005223	005223		
19	Flange Pkg 2" Npt	1		N/A	10-1305	10-1305		
	Flange Pkg 3" Npt	1		N/A	10-1306	10-1306		
20	Housing, Pump-Mach	1		001044	004214	004214		
21	• Screw, #6-32x.25RHM SI Tc Stlgr	1		001877	001877	001877		
22	• Screw, .25-20 X .75 HHm-SS	4		001916	001916	001916		
23	• Screw, .313-18 X 1"HH Cap-SS	4		002608	002608	002608		
24	• Screw, .5-13 X 2 HH Cap-SS	2		N/A	001909	001909		
25	• Washer, SS-1.25"Odx.562"ldx.078	2		N/A	002115	002115		
26	• Screw, #10-24 X.375 RHM-SI SS	1		001883	001883	001883		
27	Strainer Plate	1		137008	137008	137008		
28	• Sem, 10-24x.375HH-SI Tc.688 Wash	2		002000	002000	002000		
29	• Screw, .25-20 X 1 HHm-SS	4		007790	007790	007790		
30	• Nut, 7/16-20 Acorn SS	1		004351	004351	004351		
□	Rebuild Kit			014193	014193	014193		

• Items included in Rebuild Kit.

□ Not shown in illustration.

## NOTES:

- 1) Mtr. Hsg., Brg., Stator & Term. (Item 5) is preassembled at the factory and must be replaced as a unit. Stator is permanently attached to the Motor Housing. Plug (Item 10); Seal, Thru Wall Term. (Item 11) and Bearing - Upper (Item 6) are replaceable.
- 2) If an "X" follows Model No., or Date Mfg. on ID tag, consult factory for ordering of this part.
- 3) See FM0160 Parts Price Sheet for listing of parts prices.
- 4) "N/A" indicates, not applicable.
- 5) When ordering specify either GE or Emerson Motor.

# REPLACEMENT PARTS LIST FOR MODELS "G165" & "BA165"

See back page for "G165 & BA165" illustration.

REF. NO.	DESCRIPTION	QTY	NOTES	MODELS: G165-A				BA165-A
				2/82 NN thru 1/85 MR	2/85 NR thru 8/86 US	9/86 VS thru Current		
1	• Handle	1		217069	217069	217069		217069
2	Cover & Cord	1	2	002963	002963	002963		002963
3	Cover-Mach	1	2	001077	001077	001077		001077
4	• Gasket, Case/Cover	1		001011	001011	001011		001011
5	Housing, Mtr-& Str	1	1,5	003770	003770	003770		006287
6	Bearing, Sleeve	1		001012	001012	001012		001012
7	Clamp, Strain Relief	1	2	001770	001770	001770		001770
8	Cord, Term & Seal	1	2	005131	005131	005131		005131
9	• Seal, Cord-Asm & Str Rlf	1	2	011656	011656	011656		011656
10	• Plug, Test-White	2		034090	034090	034090		034090
11	• Seal, Thru Wall Term	3		003402	003402	003402		003402
12	Rotor & Brg	1	5	004870	004870	004870		004870
13	• Bearing, Radial	1		001013	001013	001013		001013
14	• Seal, Mtr Hsg	1		001014	001014	001014		001014
15	• Oil, Dielectric	1		003168	003168	003168		003168
16	Adapter-Mach	1		001003	001003	001003		001003
17	• Seal, Shaft	1		002430	002430	002430		002430
18	Impeller Asm "165"	1		Contact Factory	005223	005223		005223
19	Flange Pkg 2" Npt	1		N/A	10-1305	10-1305		10-1305
	Flange Pkg 3" Npt	1		N/A	10-1306	10-1306		10-1306
20	Housing, Pump-Mach	1		001044	004214	004214		004214
21	• Screw, #6-32x.25RHM-SI Tc Stlgr	1		001877	001877	001877		001877
22	• Screw, .25-20 X .75 HHm-SS	4		001916	001916	001916		001916
23	• Screw, .313-18 X 1"HH Cap-SS	4		002608	002608	002608		002608
24	• Screw, .5-13 X 2 HH Cap-SS	2		N/A	001909	001909		001909
25	• Washer, SS-1.25"Odx.562"Idx.078	2		N/A	002115	002115		002115
26	• Screw, #10-24 X.375 RHM-SI SS	1		001883	001883	001883		001883
27	Strainer Plate	1		137008	137008	137008		137008
28	• Sem,10-24x.375HH-SI Tc.688 Wash	2		002000	002000	002000		002000
29	• Screw, .25-20 X 1 HHm-SS	4		007790	007790	007790		007790
30	• Nut, 7/16-20 Acorn SS	1		004351	004351	004351		004351
▣	Rebuild Kit	1		014193	014193	014193		014193

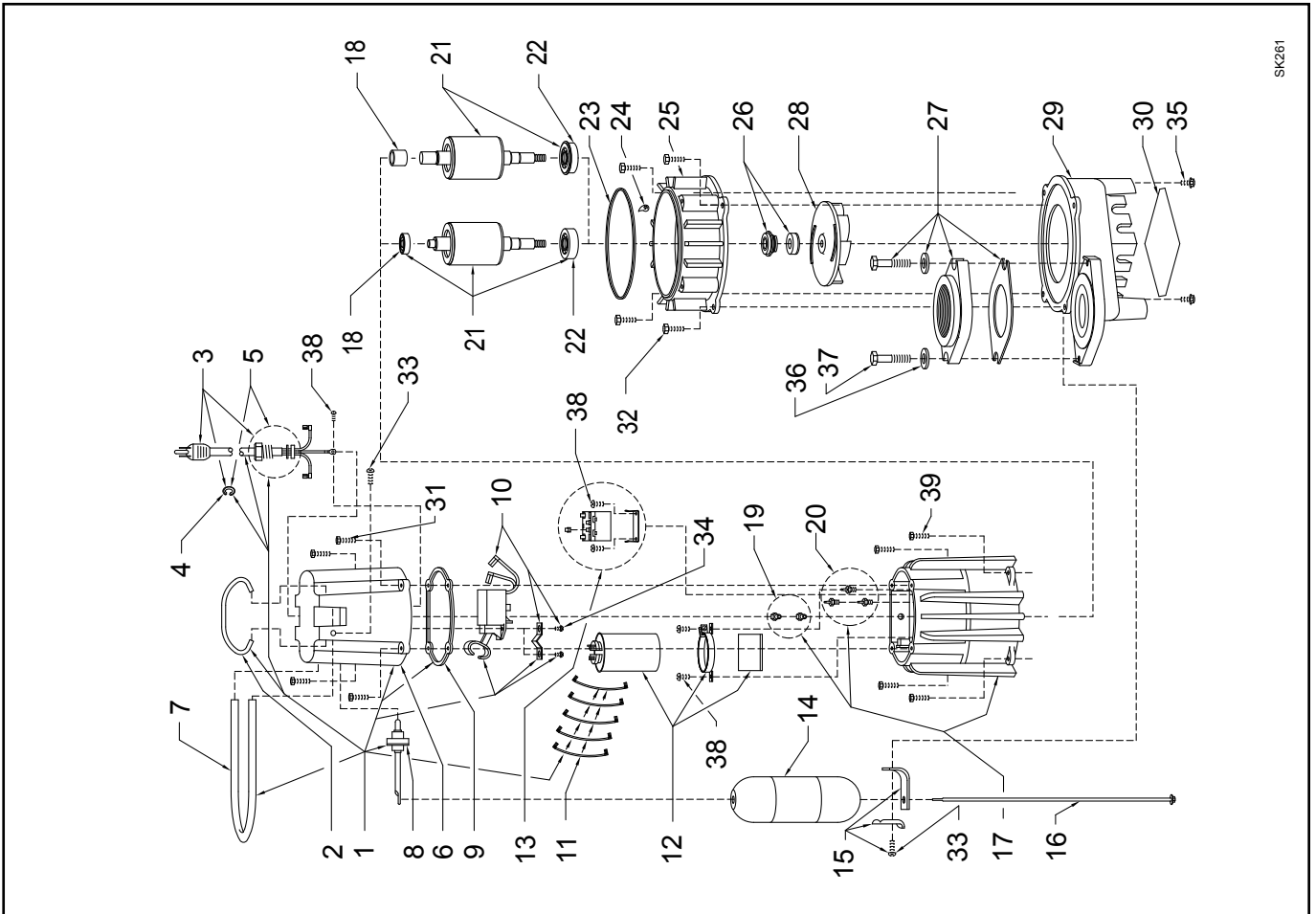
• Items included in Rebuild Kit.

▣ Not shown in illustration.

## NOTES:

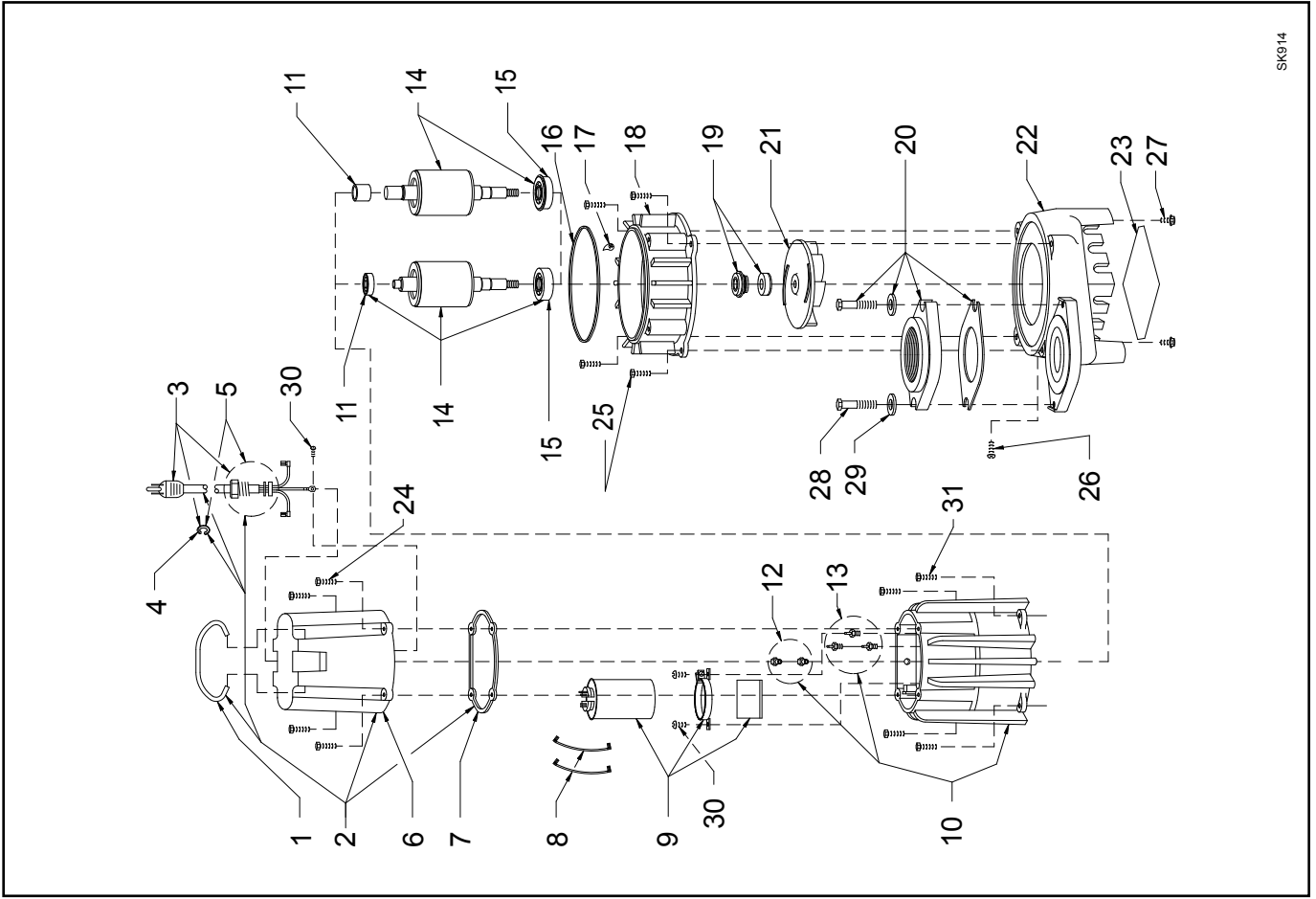
- 1) Mtr. Hsg., Brg., Stator & Term. (Item 5) is preassembled at the factory and must be replaced as a unit. Stator is permanently attached to the Motor Housing. Plug (Item 10); Seal, Thru Wall Term. (Item 11) and Bearing - Upper (Item 6) are replaceable.
- 2) If an "X" follows Model No., or Date Mfg. on ID tag, consult factory for ordering of this part.
- 3) See FM0160 Parts Price Sheet for listing of parts prices.
- 4) "N/A" indicates, not applicable.
- 5) When ordering specify either GE or Emerson Motor.

REPLACEMENT PARTS ILLUSTRATION FOR MODEL "H165"



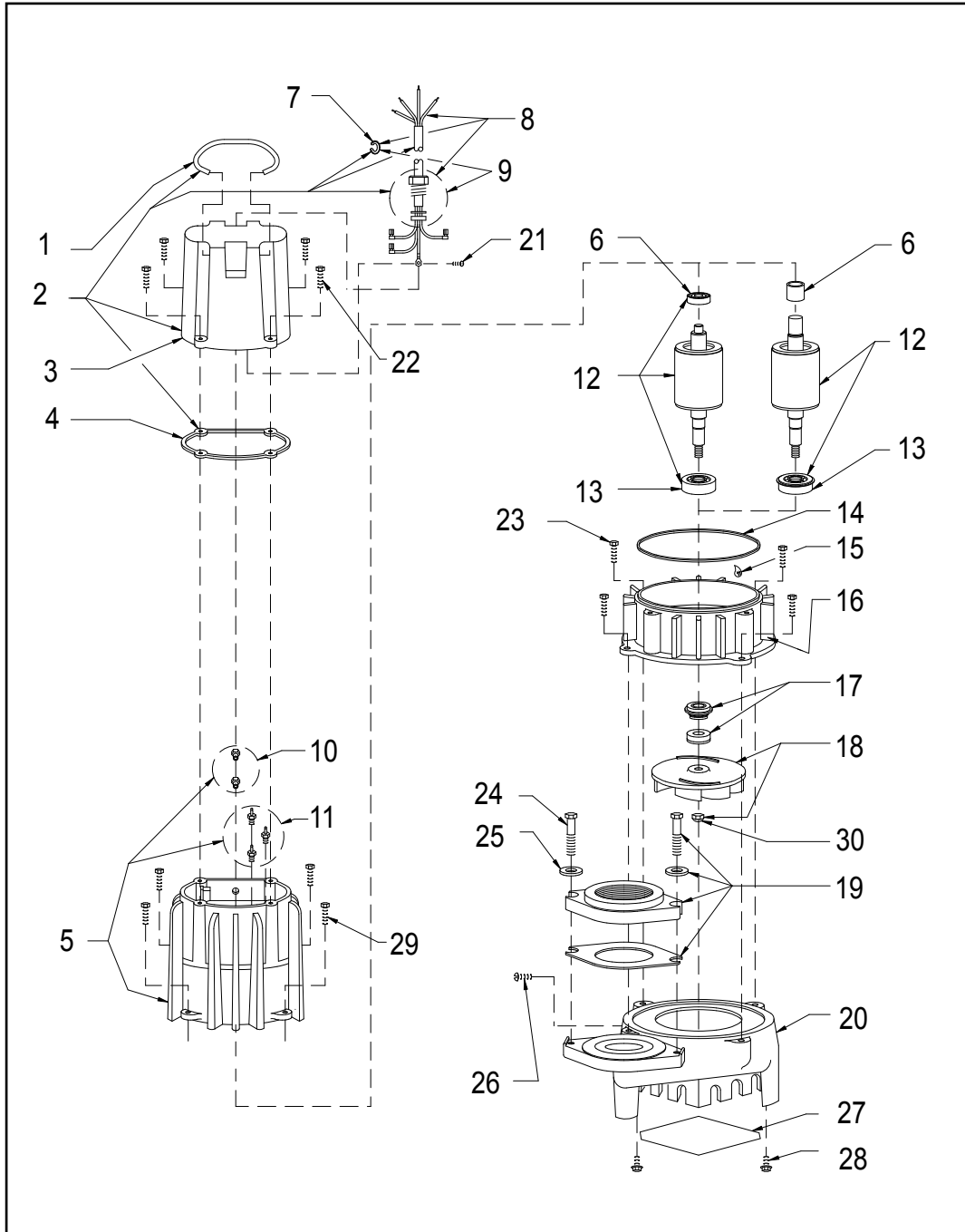
SK261

REPLACEMENT PARTS ILLUSTRATION FOR MODEL "J165"



SK914

REPLACEMENT PARTS ILLUSTRATION FOR MODELS "J" "F" & "G165"



SK1286



MAIL TO: P.O. BOX 16347 • Louisville, KY 40256-0347  
 SHIPTO: 3649 Cane Run Road • Louisville, KY 40211-1961  
 (502) 778-2731 • 1 (800) 928-PUMP • FAX (502) 774-3624

Trusted. Tested. Tough.™

Visit our web site:  
[zoellerpumps.com](http://zoellerpumps.com)